

Ethernet over Cable Terminal

Model: ETE-Mono, Duo, Trio



Main Feature:

- Compliant with IEEE 1901, HomePlug AV, IEEE 802.1p/q, IEEE 802.3, IEEE 802.3x/u
- Triple Play over coaxial cable with TV, Ethernet, WIFI and VoIP services
- Cable TV input RF Band 47MHz-860MHz, IP Input RF Band 7.5MHz-30MHz
- IP useful bit rate at 45Mb/s
- TDMA channel access to ensure video Streaming QoS
- CSMA/CA to avoid network collision and contention
- Support ToS/CoS data packet classifier QoS Management
- Support IEEE 802.1q tag-based and port-based VLAN
- Multicast, IGMP Proxy and Snooping for TV and VoIP services
- WIFI 54/48/36/24/18/12/9/6M or 11/5.5/2/1M transmission bit rate automatic adaptation
- Support 64/128/152 byte WEP encryption, WPA/WPA2, IEEE802.1X,
- VoIP service, compatible with SIP protocol with RG-11 port
- Maximum uplink/downlink bandwidth control of each terminal
- 128-bit AES Encryption with key management for transmission security
- Single equipment management by SNMPv3/CLI/WEB/TELNET/SSH2
- Global System Network Management Software based on web, configuration and supervision of all the EoC masters and terminals in the network
- Remote Firmware Update of the EoC terminal
- Powered by 12V AC-DC adapter





Technical Specification:

EoC Terminal Feature:

- Compliant with IEEE 1901 (Draft), Home Plug AV IEEE 802.3p/q, IEEE 802.3x, and IEEE 802.3u
- Modulation mode: BPSK , QPSK, 8/16/64/256/1024-QAM
- Encryption mode: 128-bits AES
- Working mode: TDMA/CSMA
- PPPoE, SSID, DHCP and dynamic DNS function
- Tag-based VLAN and port-based VLAN, up to 4094 VLAN groups
- Support IGMP Multicast Proxy and Snooping
- Support VLAN/DSCP priorities
- Support ToS/CoS data packet classifier

Cable RF Input:

- RF input frequency range: 7.5MHz to 860MHz
- Reception Sensitivity: -65dBm
- Cable RF Input: 1 x F type female, Impedance 75Ohm
- Cable RF output: 1 x F type connector, Impedance 75Ohm

Cable RF Output:

- Cable RF Output port number: 1
- RF output frequency range: 47MHz to 860MHz
- Connector type: 1 x F type connector, Impedance 75Ohm

Ethernet Output:

- Output port number: 3x10/100M auto-adaptive
- Useful bit rate: up to 85Mbps
- Connector type: RJ-45

+

WiFi Output option(ETE-Duo)::

- Support 802.11b/g/n WIFI standard
- Frequency: 2.4 to 2.483GHz
- Useful bit rate: up to 1 to 270Mbps adaptive
- Number of channel: 13
- Output power: 20dBm EIRP

VoIP Features option(ETE-Trio)::

- Compliant SIP v2.0 (RFC 3621/RFC 3262) protocol
- Support H.248 protocol
- Support G.711, G.723.1 and G.729A/AB coding
- Voice Activity Detection(VAD), Comfortable Noise Generation(CNG) and Echo Cancellation
- Advanced jitter buffer control
- Support standard voice function
- Support Fax pass-through & T.38 FoIP Fax
- Connector: 1 x RJ11

Control and Management:

- 6 LEDs for status monitoring
- Individual EoC master and terminal management by Http/Web/Telnet, SSH2, SNMPv2, v3
- Centralized global system management of EoC masters and terminals based on the web

Physical Parameters:

- Power supply: AC-DC adapter 12V
- Power consumption: ≤ 5 W
- Working temperature: -25°C to +55°C
- Dimension: 150mm(L) x 110mm(W) x 34mm(H)
- Weight: 310g

Order Information:

Model	Description
ETE-Mono	EoC Terminal with TV and Ethernet
ETE-Duo	EoC Terminal with TV, Ethernet and WIFI
ETE-Trio	EoC Terminal with TV, Ethernet, WIFI and VoIP

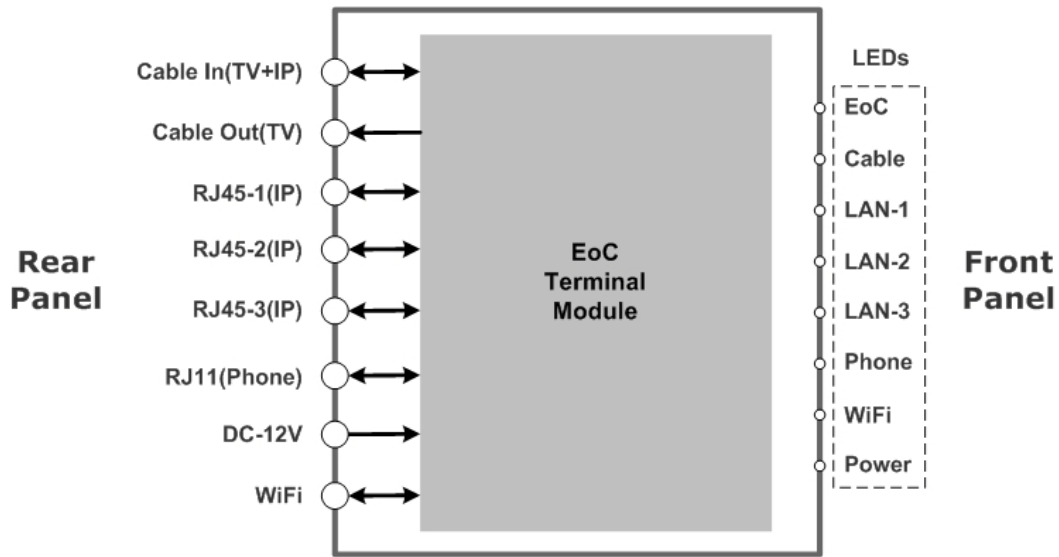


Ethernet over Cable Terminal

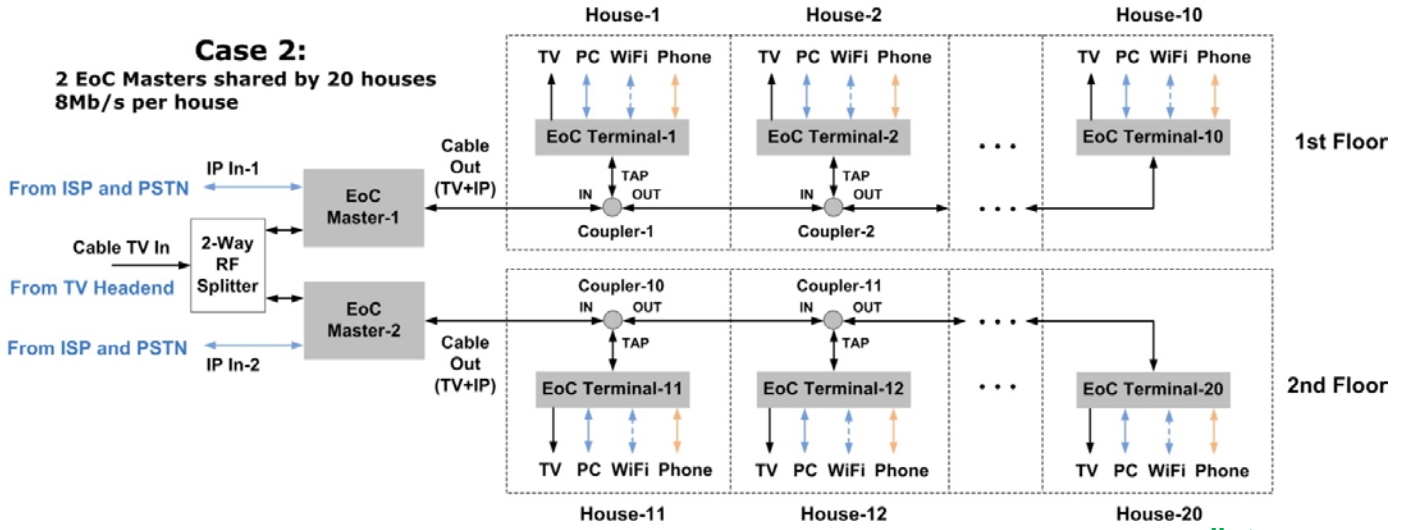
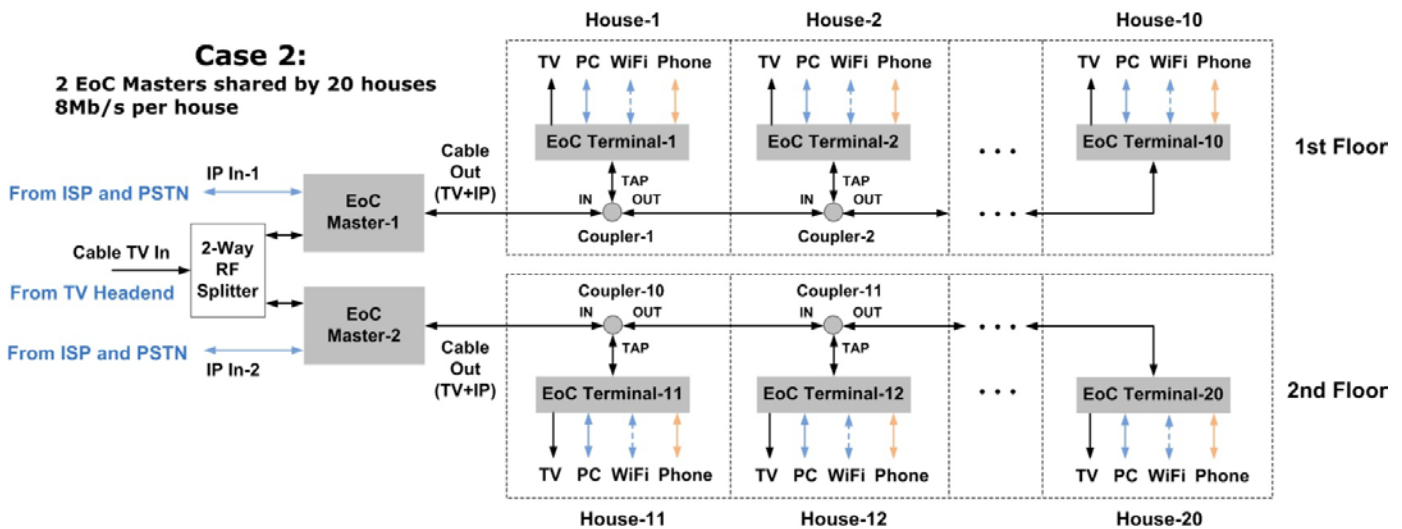
ETE-Mono, Duo, Trio



ETE-Trio Block Diagram:



Typical Application:



www.dh-tv.com

Address: No.3 Feng Zhi East Road, Xi Bei Wang Town, Hai Dian District, Beijing, 100094, China
Telephone: (+86)010-57802000, **Email:** support@dh-tv.com

